

### FEATURED MODEL

440157 Super 1-3/4, 10" & 7" bowl depths

### FEATURES

- 18 gauge, 304 series stainless steel
- 18/10 chrome/nickel content
- Long-lasting, easy-to-clean, satin polished finish
- Rear drain placement
- Required outside cabinet: 39"
- Sound deadening pads

### OPTIONAL ACCESSORIES

Sink Grids: 221019, 220991  
Colander: 510889

### CODE/STANDARDS COMPLIANCE

ASME 112.19.3-00  
IAPMO/UPC listed

### WARRANTY

Blanco America's Stainless Steel sinks feature a LIMITED LIFETIME WARRANTY to be free of all manufacturing defects under normal use. See our complete warranty for details.

While Blanco America endeavors to provide accurate information, all dimensions are nominal, cannot be guaranteed, and are subject to change or cancellation. Blanco America assumes no responsibility for use of superseded or voided specifications.

### PRODUCT SPECIFICATION

Undermount sink to be extra capacity 1-3/4 bowl design, 35-7/16" in length and 20-7/8" in front-to-back depth. Sink to be made from 18 gauge, 304 series stainless steel, with 18/10 chrome/nickel content and satin polished finish. Sink to feature rear drain placement. Sink to be Blanco Model 440157 with large bowl depth of 10" and small bowl depth of 7".

### JOB INFORMATION

Job Name: \_\_\_\_\_

Contact: \_\_\_\_\_

Date Specified: \_\_\_\_\_

Specifier: \_\_\_\_\_

Contractor: \_\_\_\_\_

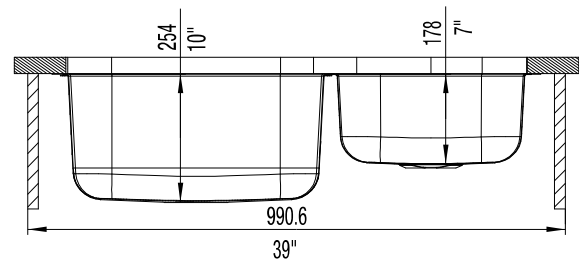
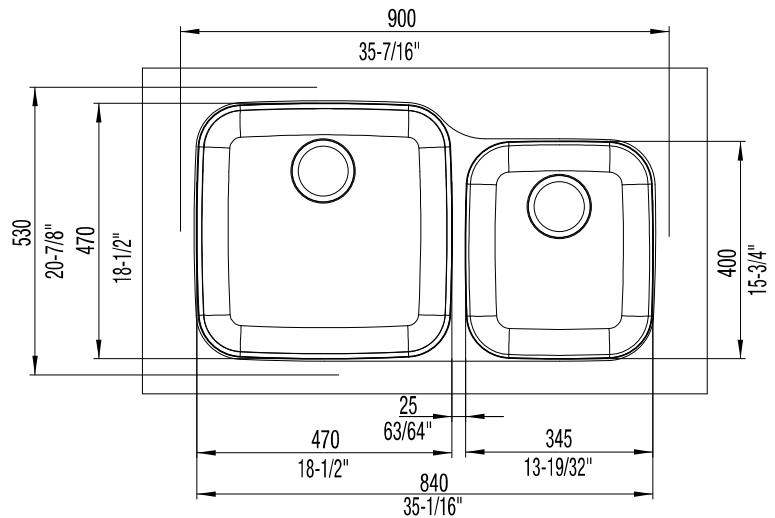


MODEL 440157

### NOMINAL DIMENSIONS

MODEL	OVERALL	CUTOUT SIZE	BOWL DEPTH		DRAIN DIAMETER
			LEFT	RIGHT	
440157	35-7/16" x 20-7/8"	Template provided with approximate 1/8" reveal	10"	7"	3-1/2"

DXF cutout templates available on our website.



**BLANCO AMERICA**

800.451.5782

www.blancoamerica.com

© 2013 BLANCO AMERICA

6/13

SPEC-003